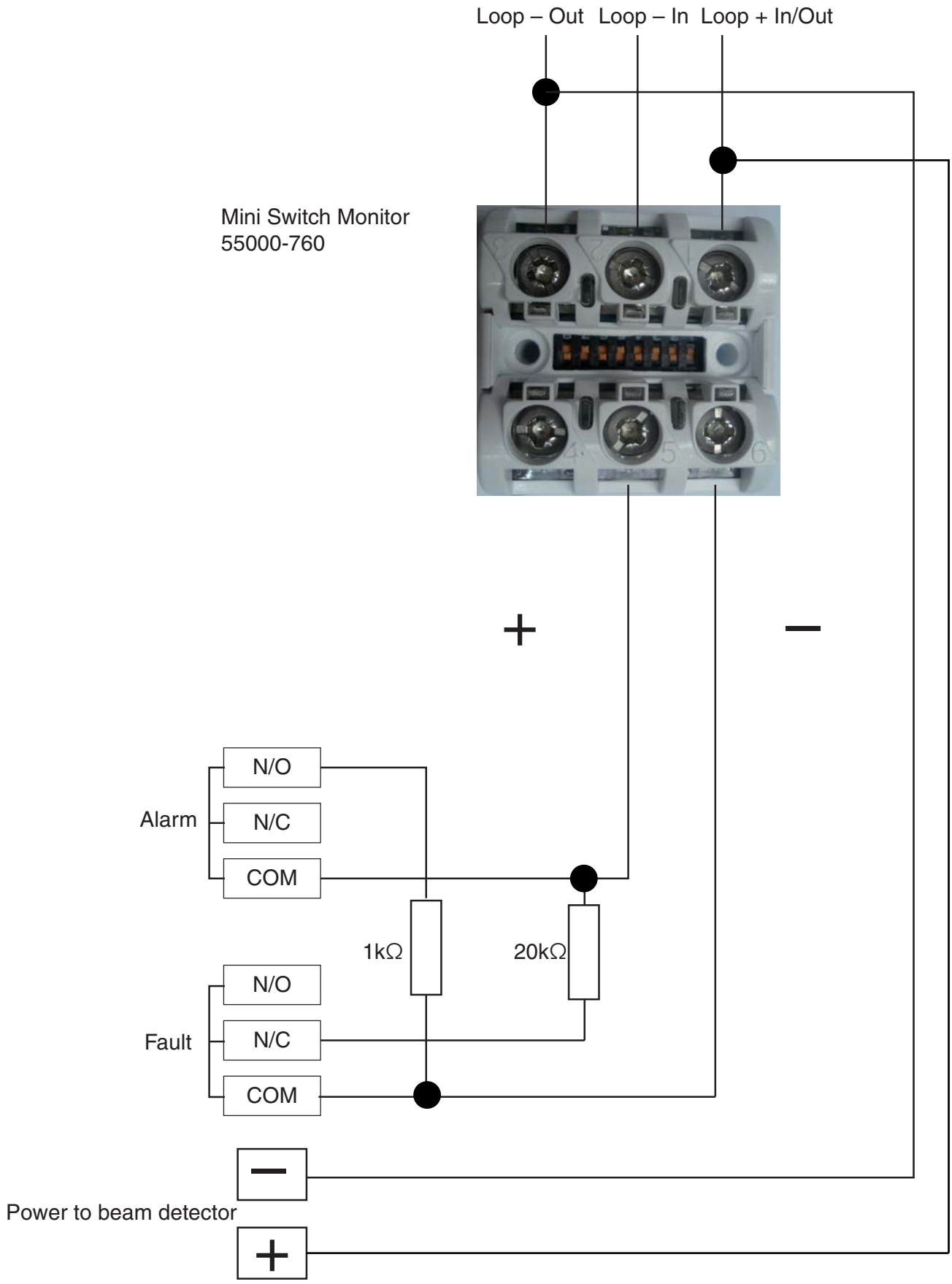


Interfacing Auto-Aligning Beam Detector with Laser Alignment (29600-524) with a Mini Switch Monitor (55000-760)



End of Line 20kΩ

Alarm Resistor 1kΩ

© Apollo Fire Detectors Limited 2008-2010/TP/AL



Interfacing Auto-Aligning Beam Detector with Laser Alignment (29600-524) with a Switch Monitor (55000-843)

